



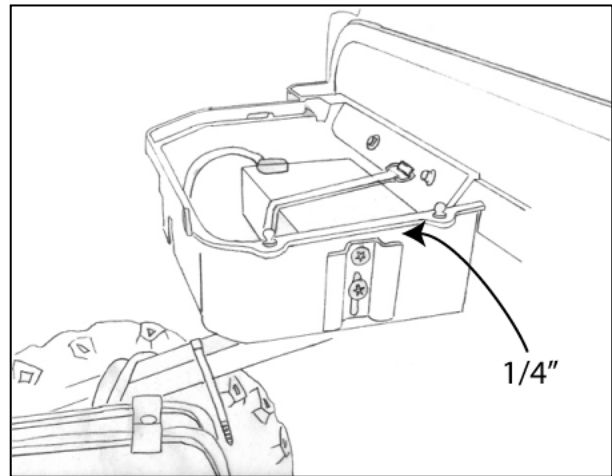
Windshield Washer Kit

To successfully install your Windshield Washer Kit, follow the manufacturer's instructions included with the kit.

The following illustrations indicate recommended locations where the windshield washer kit should be installed on a Yamaha Rhino* UTV. Location should be similar on other UTV's. Nozzles only squirt 12" to 14" so should be as close to windshield as possible.

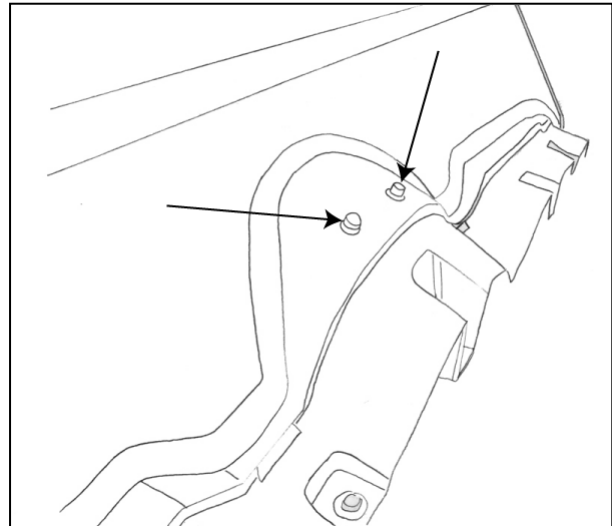
1. Recommended location for reservoir/motor assembly on a Yamaha rhino.

a) Position reservoir bracket on battery box as shown at right. Top of bracket should be $\frac{1}{4}$ " from underneath of lip on battery box. Drill two holes and fasten using screws provided in kit.



2. Recommended location for nozzles.

a) Drill holes and install both nozzles in Location shown at right.



For support or replacement parts, contact the Parts Department at:

LB Manufacturing Inc.
247 Arsenault Road,
Dieppe N.B.
Canada E1A 7J5
Ph: (506) 388-9334 Fax (506) 388-3325
www.defendercab.com
parts@defendercab.com

*Defender Cab is in no way affiliated with the Yamaha Motor Corporation. Any use of the Yamaha name is only to identify their utility vehicle as it pertains to our accessories. Yamaha and Rhino are registered trademarks of the Yamaha Motor Corporation.