

DEFENDER Cab™



Owner's Manual

Model:
Can Am Commander

Caution:

Before using this product, read this manual and follow all safety instructions.



Can-Am Commander Cab kit*

- Safety Instructions
- Kit Contents
- Tool Requirement
- Assembly Instructions
- Additional Notes

* DefenderCab™ and accessories are in no way affiliated with Can Am, BRP. Any use of these or the Commander name(s) is only to identify their utility vehicle as it pertains to our accessories. Can Am and Commander are registered trademarks of BRP (Bombardier Recreational Product Inc.)

Warning: Failure to heed all safety and operating instructions and / or warnings regarding use of this product can result in serious bodily injury.

SAFETY INSTRUCTIONS

Read entire assembly instructions prior to commencing work.

Install all parts indicated in assembly instructions. Failure to fully assemble product before use could result in personal injury.

Assembly of product requires use of hand and/or power tools. If you are not experienced in using these types of tools, have product dealer do the installation for you.

Some parts contain sharp edges; wear protective gloves if necessary.

Dress for safety. Do not wear loose clothing, neckties or jewelry if using power tools to assemble this product.

Always keep your assembly area clean, uncluttered and well lit.

Keep visitors and children a safe distance away from the assembly area. Visitors should wear the same safety equipment described above.

NEVER OPERATE YOUR UTV WITH THE CAB DOORS OPEN. FAILURE TO PROPERLY LATCH THE DOORS PRIOR TO MOVING THE VEHICLE COULD RESULT IN SERIOUS INJURY.

Additional Safety Note(s):

Some optional installation steps require that some fasteners pertaining to safety devices be temporarily removed. By choosing to perform these steps, you are doing so at your own risk and accept full responsibility should these safety devices fail due to your tampering with them. Please consider the full extent of possible repercussions when choosing to remove any safety device such as nets or safety belts.

Cab Enclosure Kit Contents

Your DefenderCab™ kit should contain the parts listed below. Separate all parts from packing materials. Do not discard packing material until assembly is complete. Item quantities are listed in parenthesis below. Note: Items listed below may or may not be included based on selected options.

Panels, Doors and Brackets

- (1) Windshield Panel
- (1) Back Panel
- (1) Roof Panel
- (1ea) Driver & Passenger Door Assy
- (1ea) Driver & Passenger Replacement Lap Bar
- (1) Aluminium Cross member w/clamps
- (1ea) LH and RH Striker Mounts
- (1ea) Driver and Passenger Hinge Assy
- (2) Back Panel side brackets
- (3) Reticulated foam block

Hardware

- (2) Gas Charged Door Damper (Installed onto doors)
- (2) Striker Bolts
- (1) Roll, Low Density Foam Gasket
- 2FT Edgetrim
- (1) Hardware Bag*

*NOTE: Hardware bag contains spare items. Some items may or may not be used in this application.

Tools Required for Assembly

Ensure that you have the following tools available before you begin the assembly of your Defender Cab™ Enclosure Kit. *** **Assembly May require an assistant*****

NOTE: Stainless Steel hardware **WILL** gall (seize) without use of anti-seize compound

- Phillips & Flat screwdrivers
- 1/8" and 5/32 Allen Key
- Torx set
- Metric wrench and socket sets
- Electric drill
- 3/16" drill bit
- Utility knife
- Utility clamps (Suggested)
- Rubber Mallet (Suggested)
- Anti-Seize Compound or Lubricant

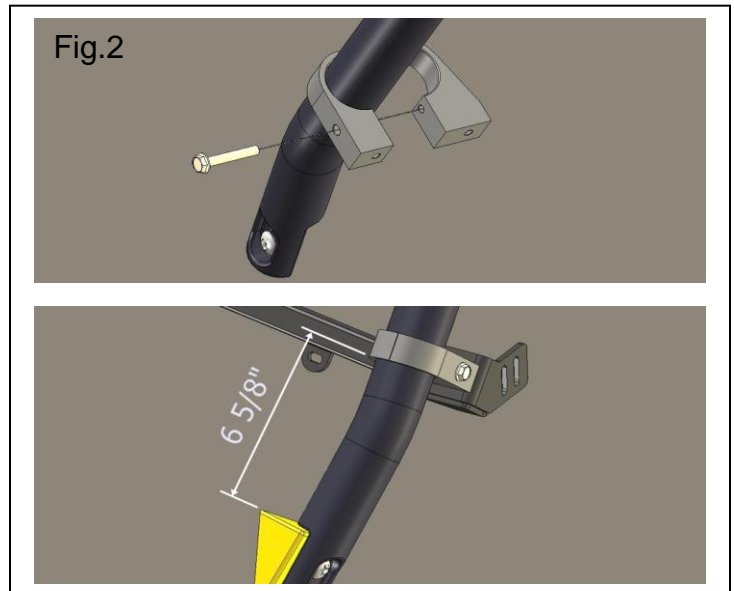
Kit Installation

1. Vehicle Preparation

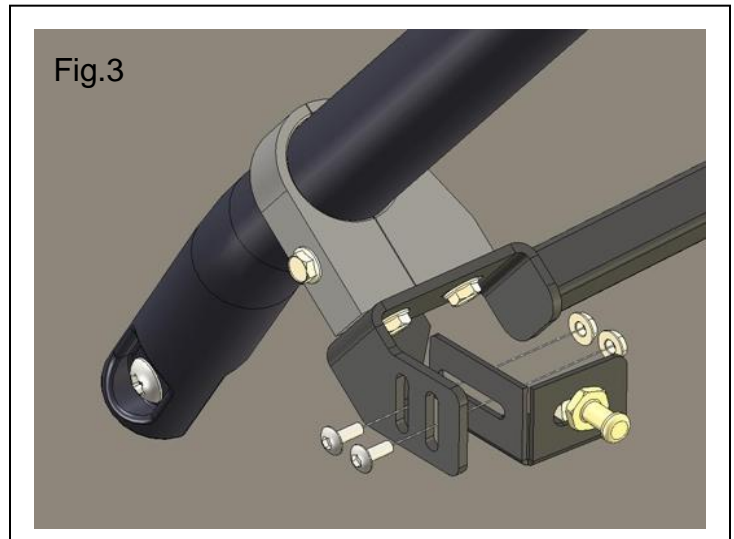
i) To ensure an easy installation, it is strongly suggested that the vehicle be checked for straightness by hanging a plumb line from the center of the roll cage as shown in Fig.1. Loosen and adjust roll cage to within $\frac{1}{2}$ " of center if required.



ii) Loosely install forward cross member clamps onto each roll bar with 5/16-18 x $1\frac{1}{2}$ " lg. bolt at 6 $\frac{5}{8}$ " from step in roll bar / body panel (Fig.2). Loosely mount cross-member onto clamps with (2) 5/16 x $\frac{3}{4}$ " lg bolt per side. Align crossmember center with hood centerline and tighten all hardware. Double check your 6 $\frac{5}{8}$ " dimension.

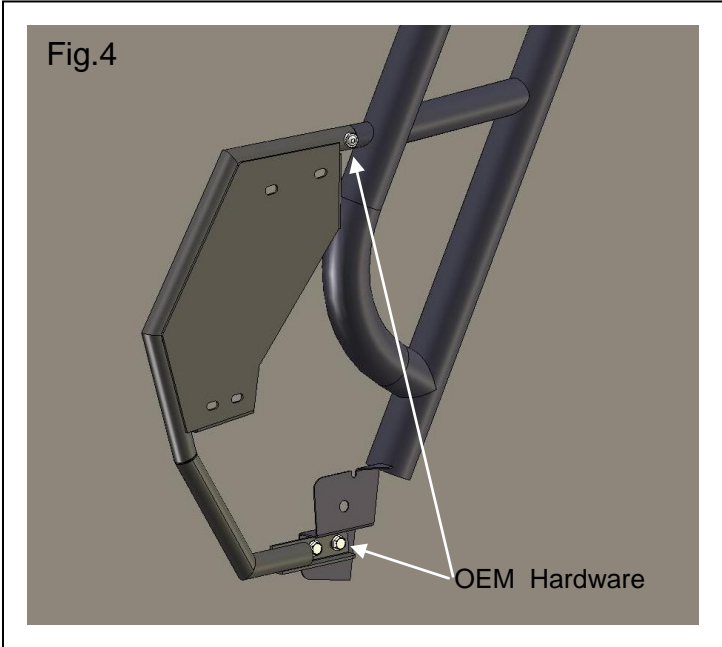


iii) Install striker mounts and striker bolts to each end of the cross member as shown in Fig.3 using (2) $\frac{1}{4}$ -20 x $\frac{1}{2}$ " Lg. screws $\frac{1}{4}$ " serrated flange nuts. Do not yet tighten hardware.

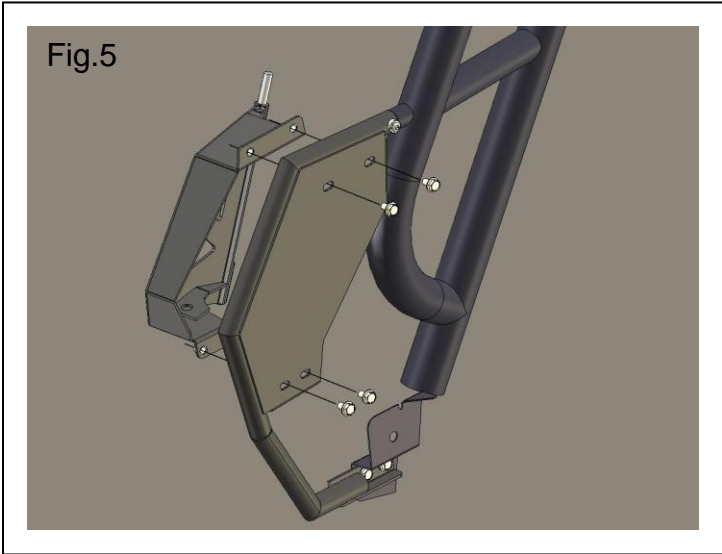


Visit www.defendercab.com / Product Instructions to view this manual online

iv) Remove OEM lap bars from vehicle and install supplied lap bars using original hardware. Hand tighten only, as adjustments will be necessary in following steps. Note main plate orientation in Fig.4. (Passenger unit shown from inside vehicle)



v) Install hinge plate assembly to each respective lap bar with (4) 5/16-18 x 1/2" Lg. bolts per hinge unit. Do not tighten hardware at this point. (Fig.5)

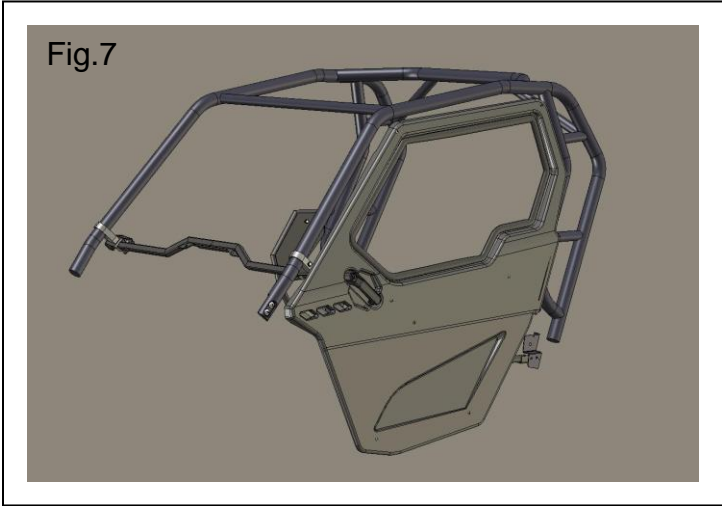


vi) Your roll bar assembly should look like that of Fig.6 at this point.

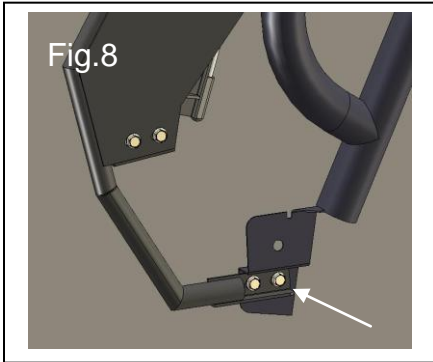


vii) Temporarily mount door assemblies onto vehicle as shown in Fig.7. Perform adjustments as per Figures 8, 9 and 10 in order to have door latch properly. **Tighten ALL hardware and remove doors when done.**

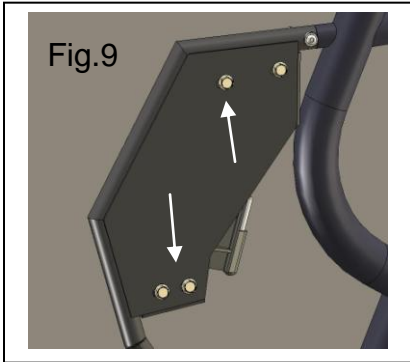
Note: Do NOT mount shock at this time.



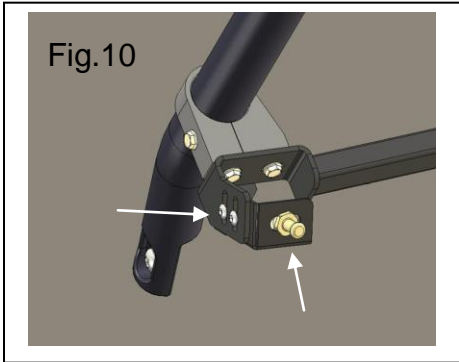
Available Adjustment Points



Adjusts door latch height.



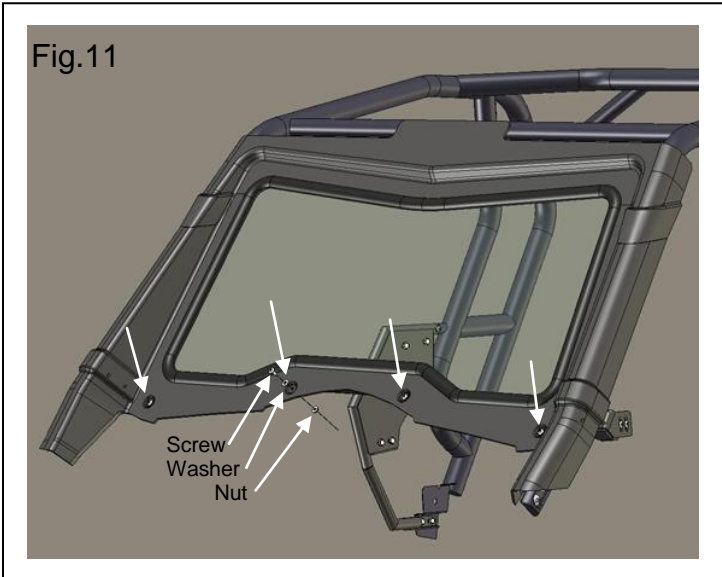
Adjusts door front to back.



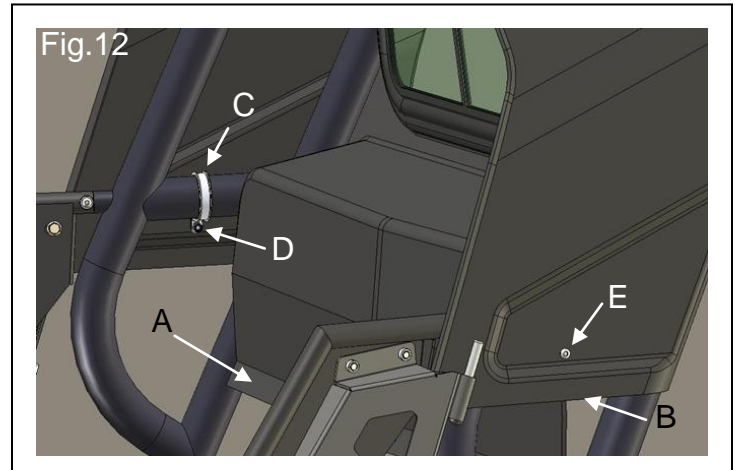
Adjusts striker position.

viii) Install windshield panel onto vehicle and secure with (4) 1/4-20 x 3/4" Lg. SS screws, flat washers and flanged serrated nuts.(Fig.11)

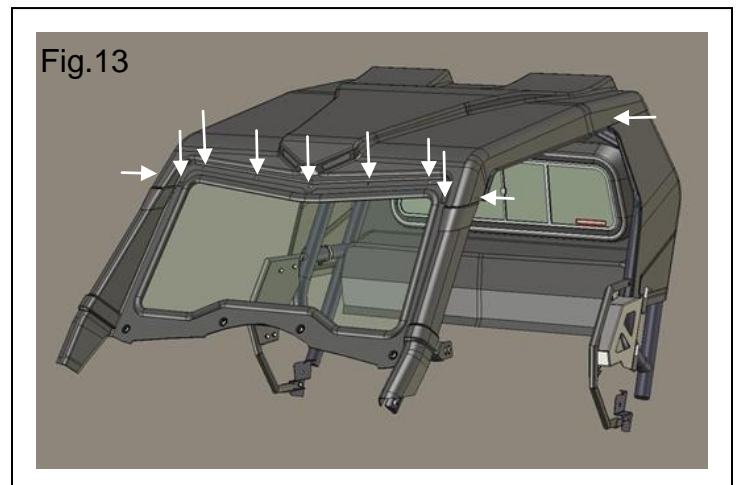
Note: This operation can prove to be difficult due to tight fit. If necessary, mark clamp position on underside of roll bar and loosen crossmember to install panel screws. Ensure cross member is back to original position when done.



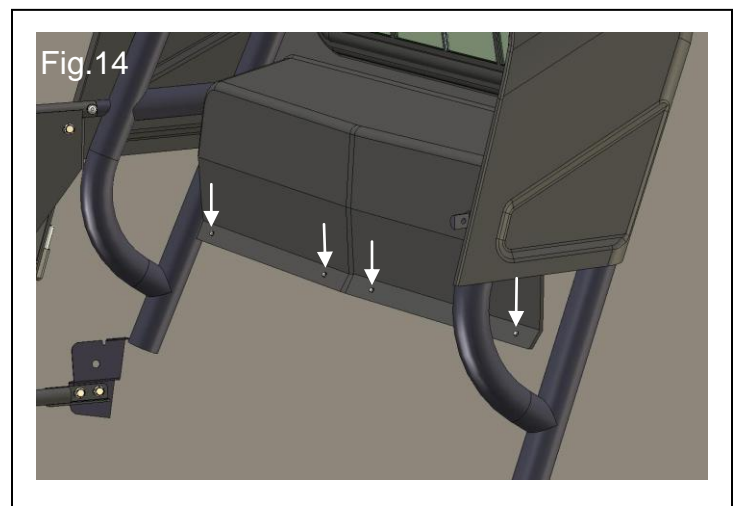
ix) Adhere low density foam along inside face (A). Install edgetrim seal along edges [not shown] (B). Install one rubberized clamp per side (C). Mount panel and have an assistant push down firmly; transfer clamp holes onto panel with 3/16" bit (D). Secure panel with (2) #10-32 x 5/8" screws and nyloc nuts (E). (Fig.12)



x) Install roof panel onto vehicle and look for contact points with roll cage; install low density foam strips on these points if desired. Ensure roof sits properly onto roll cage, rear panel and windshield panel. Using a 3/16" drill bit, transfer roof panel holes onto rear and windshield panels. Secure with (16) #10-32 x 5/8" Lg. screws, washers and nyloc nuts (use washers on interior only). (Fig.13)



xi) Have an assistant hold lower interior panel firmly and install (4) self tapping screws from exterior where shown. Finish by installing 1/8" vacuum plug to each screw tips inside vehicle. (Fig.14)



xii). OPTIONAL STEP

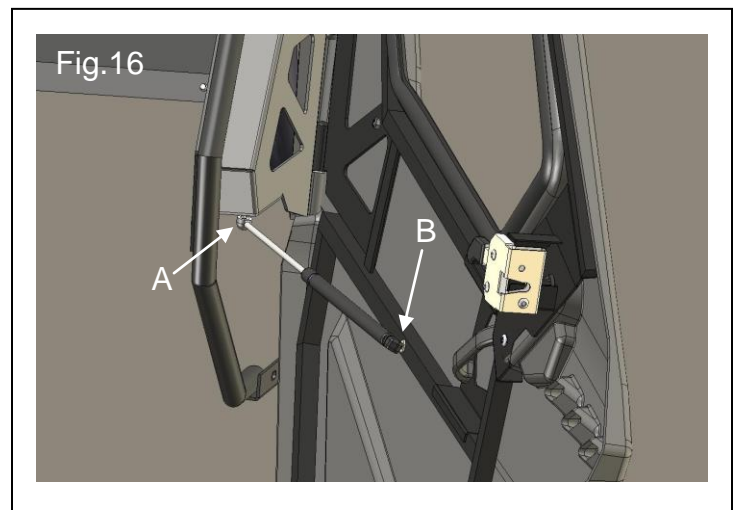
Additional side brackets are included should you wish to install them. To do so, remove shoulder belt bolt and install bracket as shown. Transfer a 3/16" hole into panel, secure with (1) #10-32x5/8" screw, washer and nyloc nut per bracket. Adjust position once door has been installed with motion damper.

(Fig.15)

NOTE: This step has been required in less than 5% of installations as of last manual revision.



xiii) Remove motion dampers from each door and thread them onto inner hinges as shown (A). Install doors onto vehicle and attach motion dampers to doors (B). Close doors and refer to **step vii** to perform fine tuning adjustments if necessary. (Fig.16).

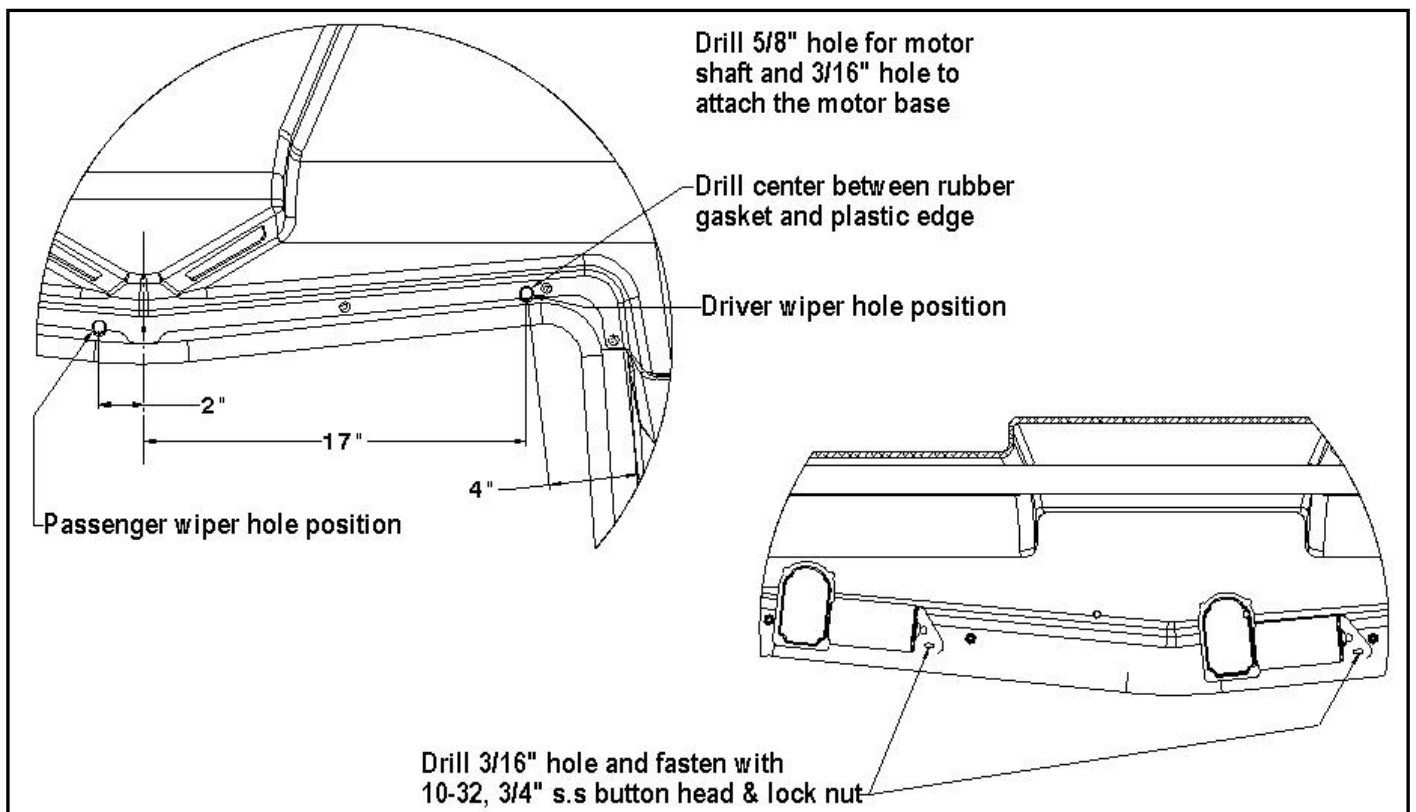


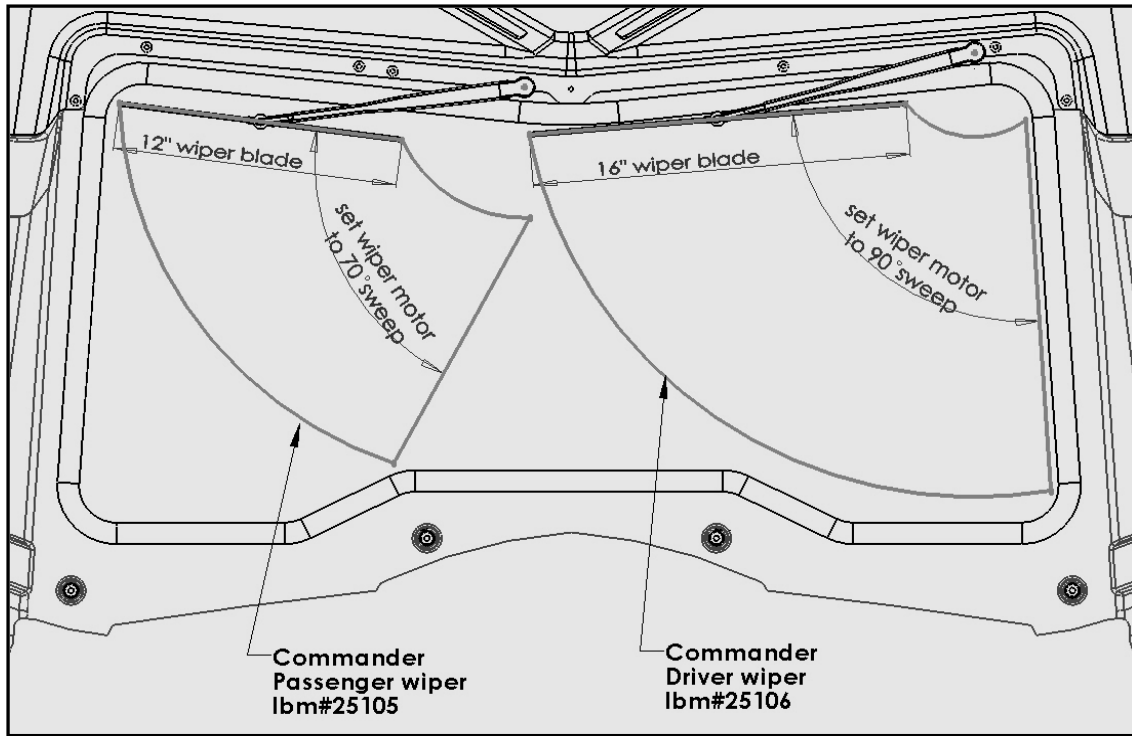
Additional Note(s):

- a) Removal of belts and/or nets is not recommended as this cab enclosure is **not** designed as a roll over protection system. Always wear proper safety gear while riding your vehicle.
- b) To remove doors, simply unhook motion dampers and lift doors off while holding them close to the vehicle (near closed position).
- c) Plastic panels are coated with a UV resistant film, application of any chemical should be tested in an inconspicuous area first as some chemical agents are known to melt certain finishes.
- d) Visit defendercab.com regularly for updates and newly added items to fit your vehicle.
- e) Wash enclosure with soapy water as you would any other vehicle.

Adjustments to wiper sweep angle and "home" position can be made by removing cover and following the manufacturer's instructions printed on box. Run wiring along driver A-Pillar and feed wiring trough clutch vent opening.

Note: Motors are normally shipped at maximum sweep angle of 110 deg.





Windshield Washer Option:

If you purchased the windshield washer kit, recommended installation is to install on passenger side of inside wall as shown. Drill two holes and fasten using screws provided in kit.



To order replacement parts, contact the Parts Department at:

LB Manufacturing Inc.
 247 Arsenault Road, Dieppe,
 N.B. Canada E1A 7J5
 Ph: (506) 388-9334 Fax (506) 388-3325
 Toll Free: 1-877-380-3335
 www.defendercab.com
parts@defendercab.com

Manual Revision: 2.4

Date: 27 Nov, 2013